

SUPPORT DE PRISE VERSO INOX



Built-in socket

Code: A000 F10

SUPPORT DE PRISE VERSO INOX

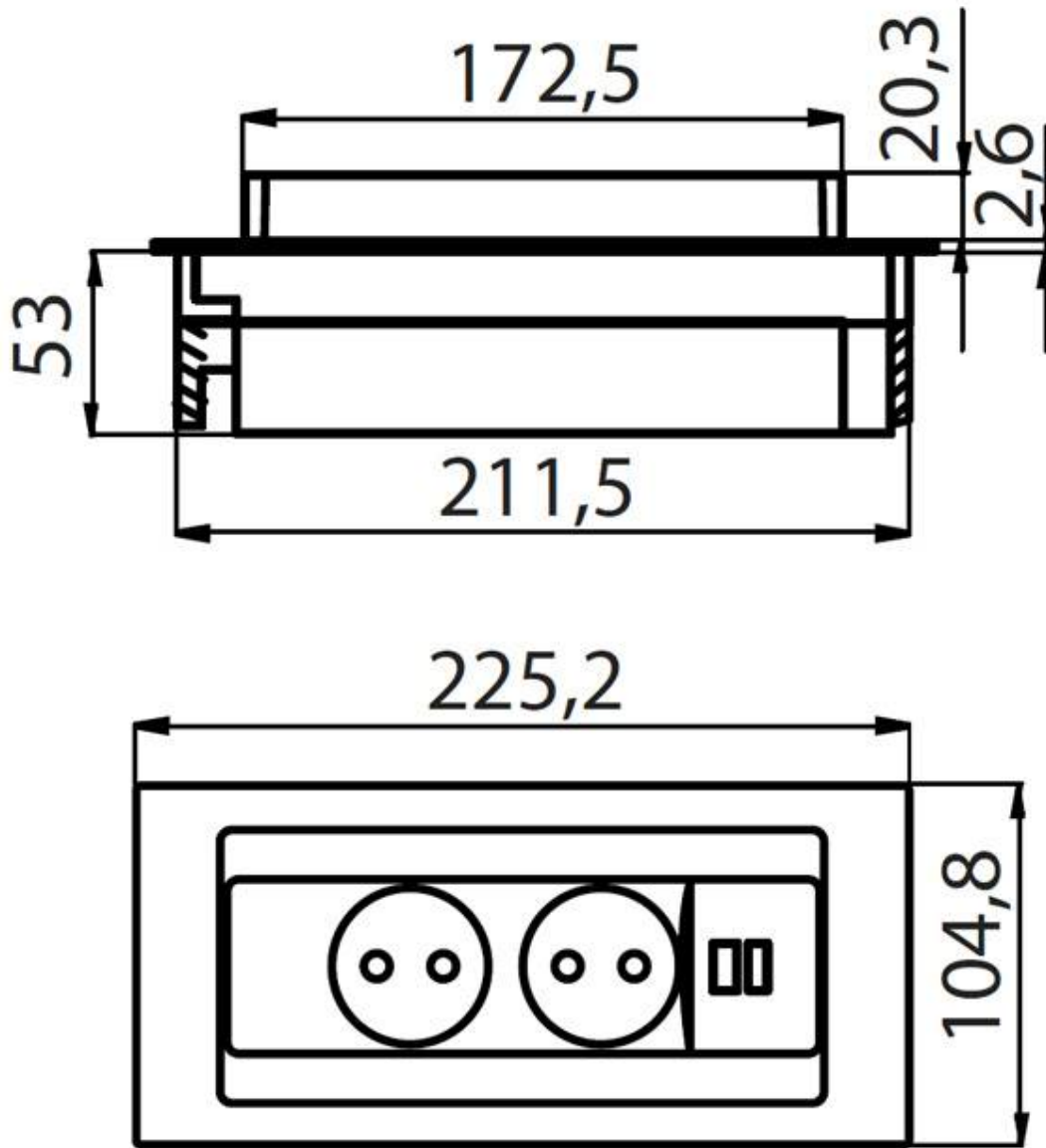


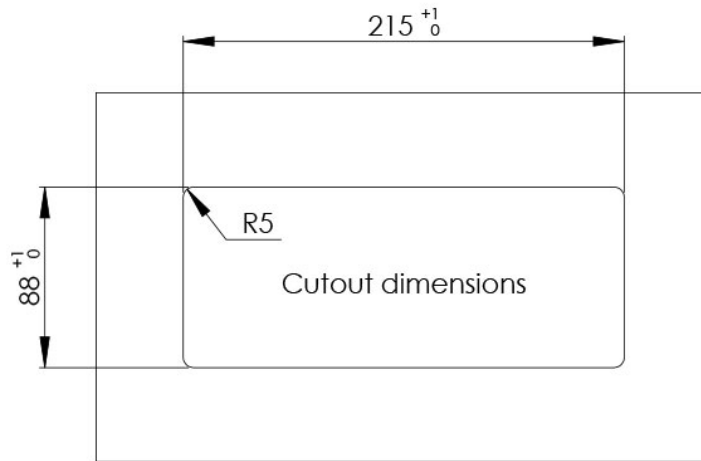
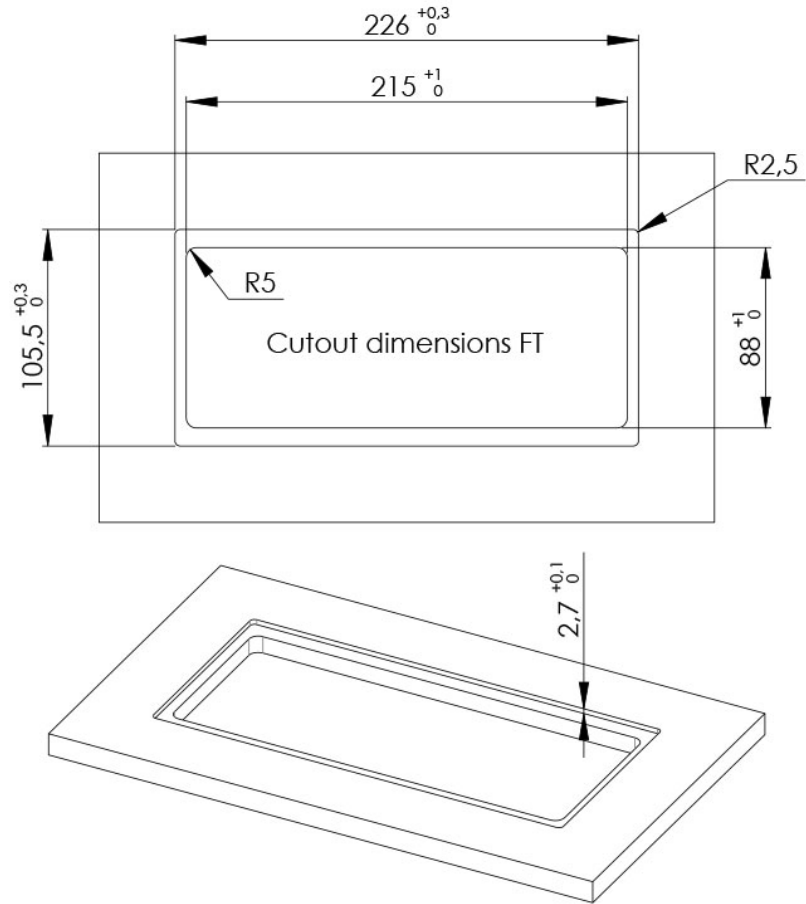
DETAILS

Built-in hole 215x88 mm

Notes: It's advisable to keep a distance of 40 cm from sinks or cooking hobs (protection index IP20)

TECHNICAL DATA





GALLERY

